

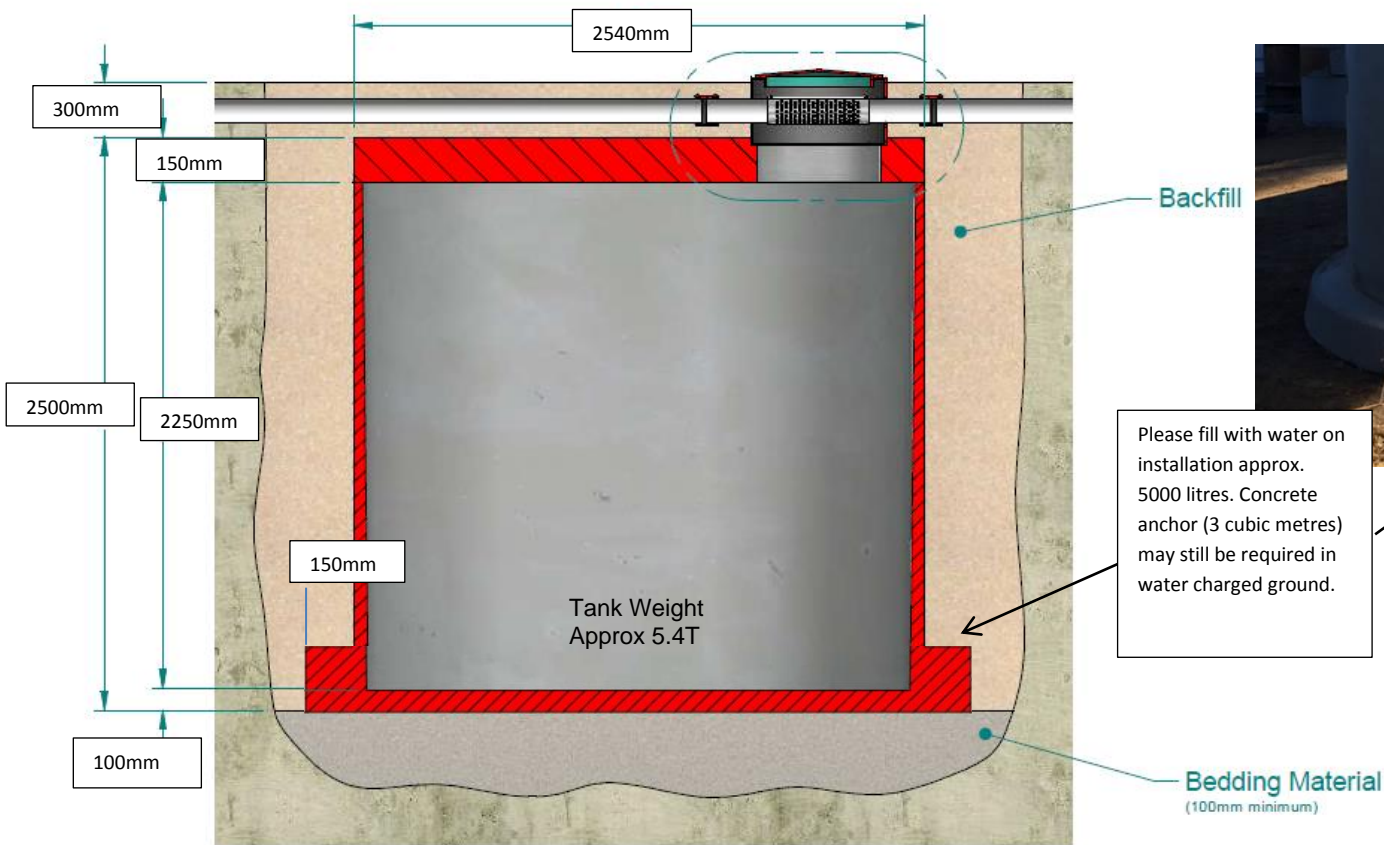
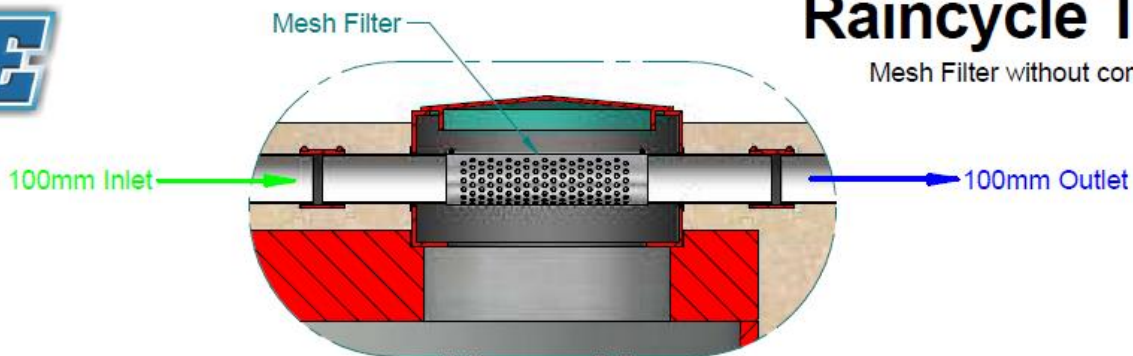


10,500 Litres

With Foot

# Raincycle Tank

Mesh Filter without concrete foot



Tank manufactured in accordance with AS/NZS 1546.1:2008

