

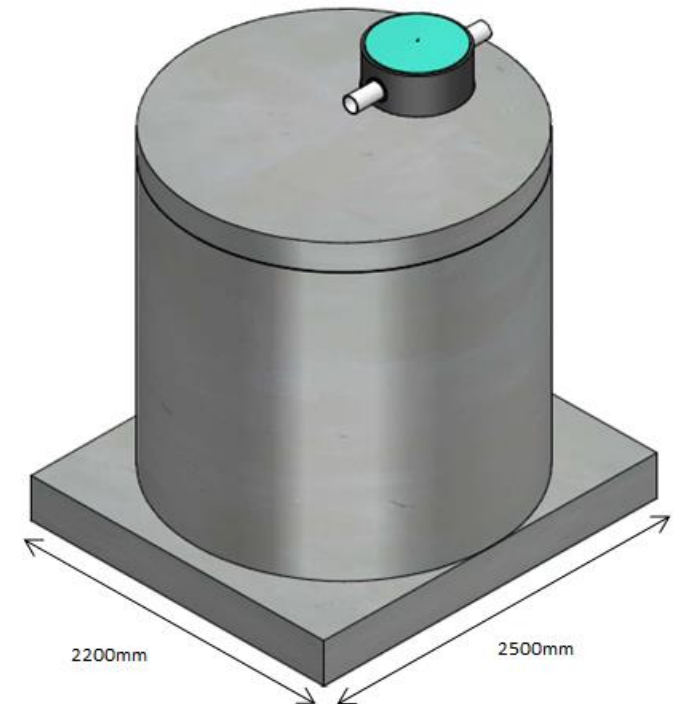
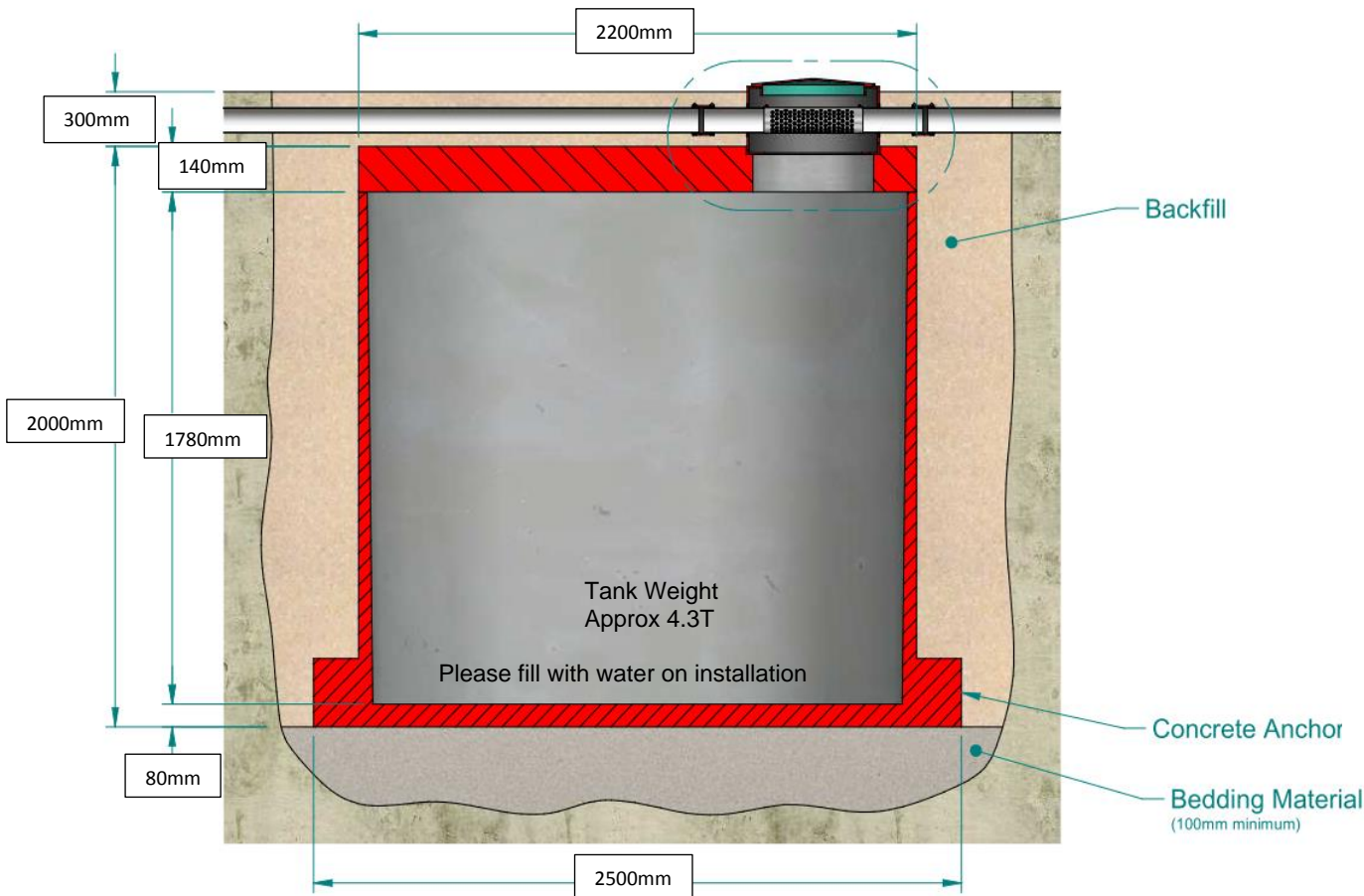
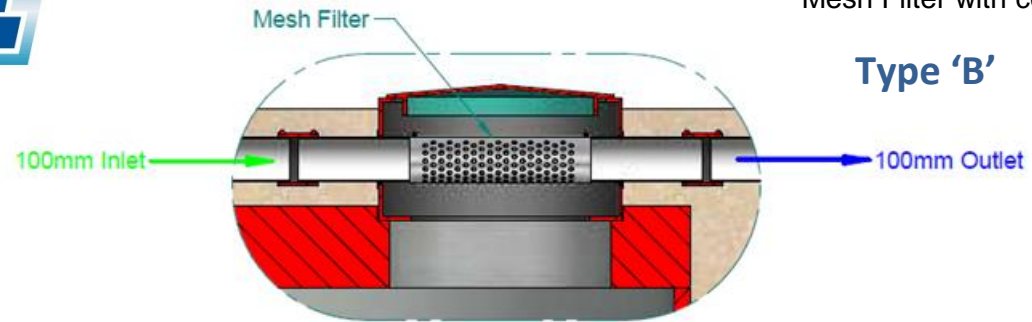


# Raincycle Tank

Mesh Filter with concrete foot

Type 'B'

## 6,100 Litre with foot



Tank manufactured in accordance with AS/NZS 1546.1:2008

